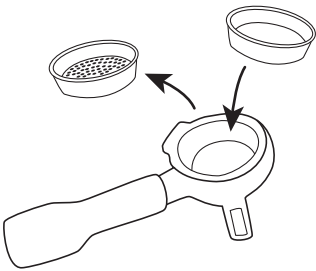
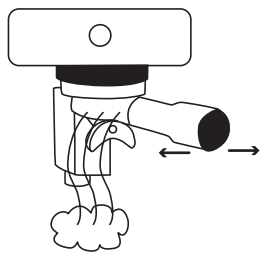


ESPRESSO CLEANER INSTRUCTIONS

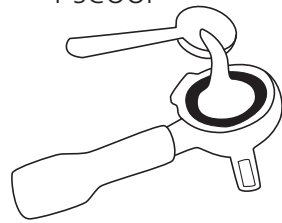


Replace the normal filter with "Blind Filter" (No holes).



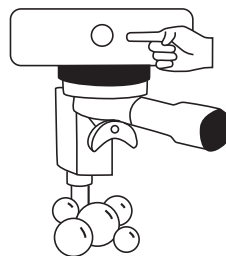
Insert the Group Handle into the Group and "swill" to remove ground coffee from the Group.

1 SCOOP



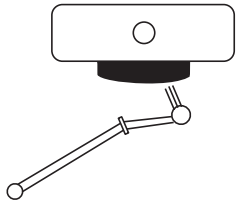
Add one scoop of Espresso Machine Cleaner into the blind filter.

▶ ◻
10 sec (x5)




Start cycle and allow to run for 10 seconds to dissolve cleaner. Start and stop cycle every 10 seconds. Repeat 5 times.

CLEAN




Remove group handle and discard left over solution. Run water from the group and clean using brush.

▶ ◻
(x1)
RINSE

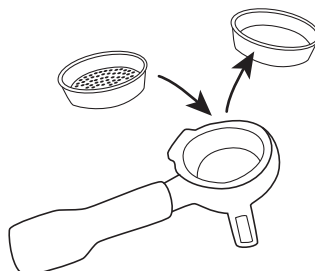


Rinse through group handle.

▶ ◻
5 sec (x10)
H₂O

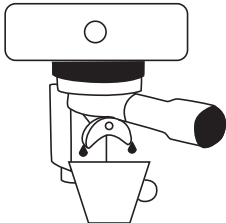


Re-insert the group handle and stop and start cycle every 5 seconds. Repeat 10 times.

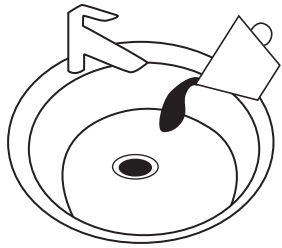


Remove the "Blind" filter and replace with normal filter.

▶ ◻
(x1)
COFFEE



Brew an espresso.



Discard espresso. The machine is now clean and ready for use.